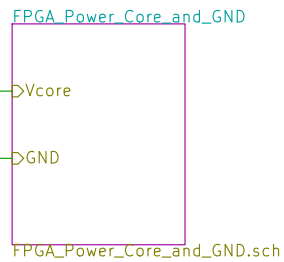
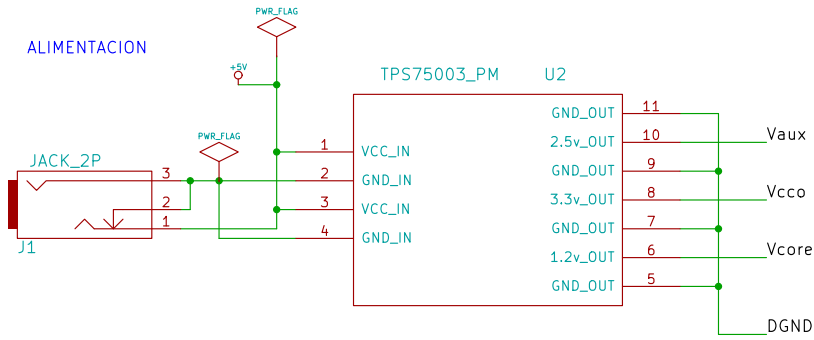
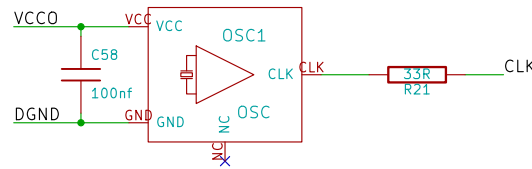


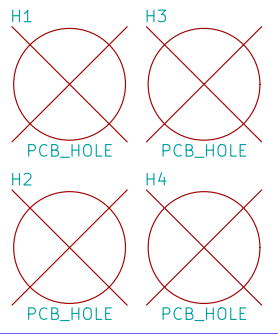
ALIMENTACION



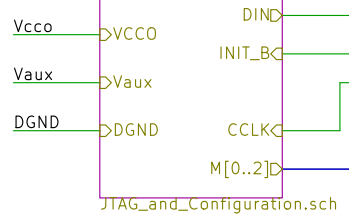
OSCILADOR



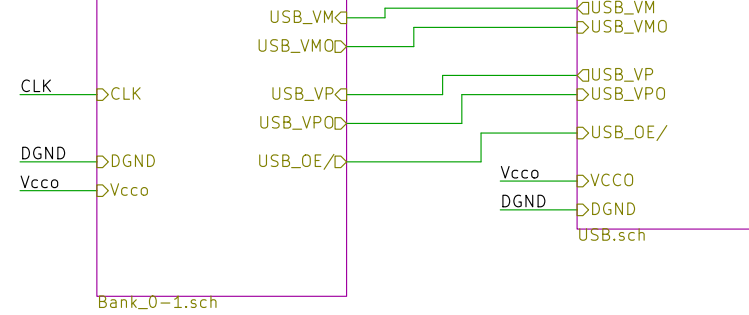
Orificios de montaje



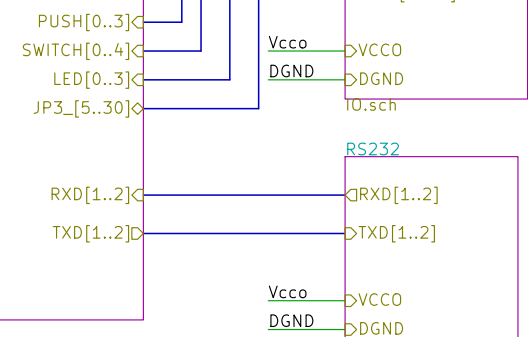
JTAG_and_Configuration



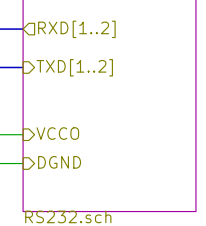
Bank_0-1



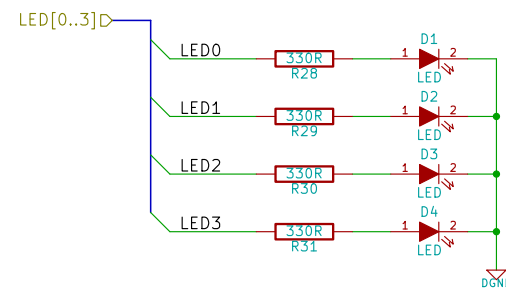
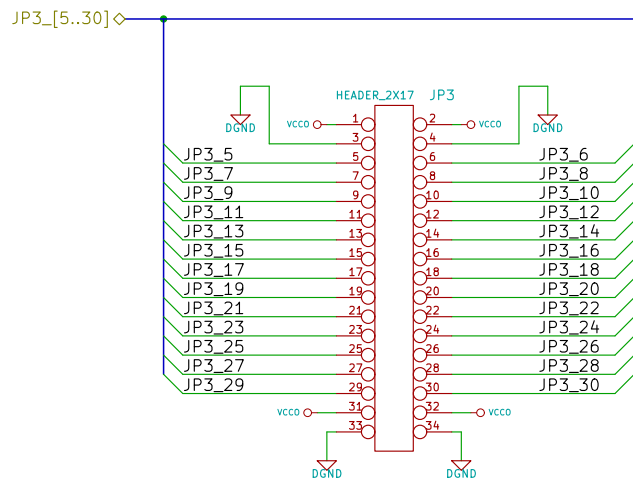
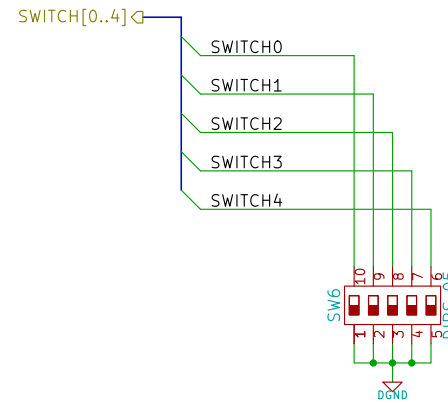
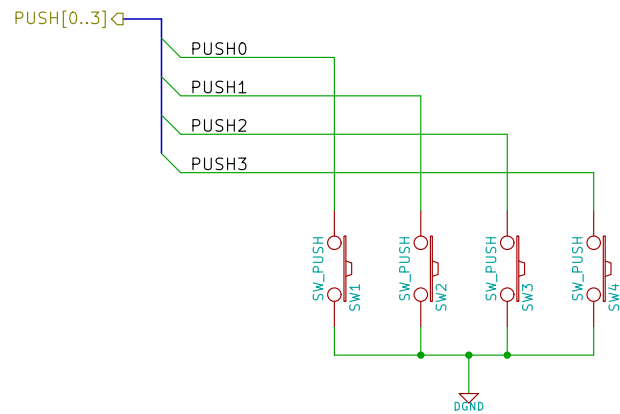
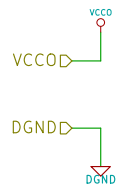
Bank_2-3



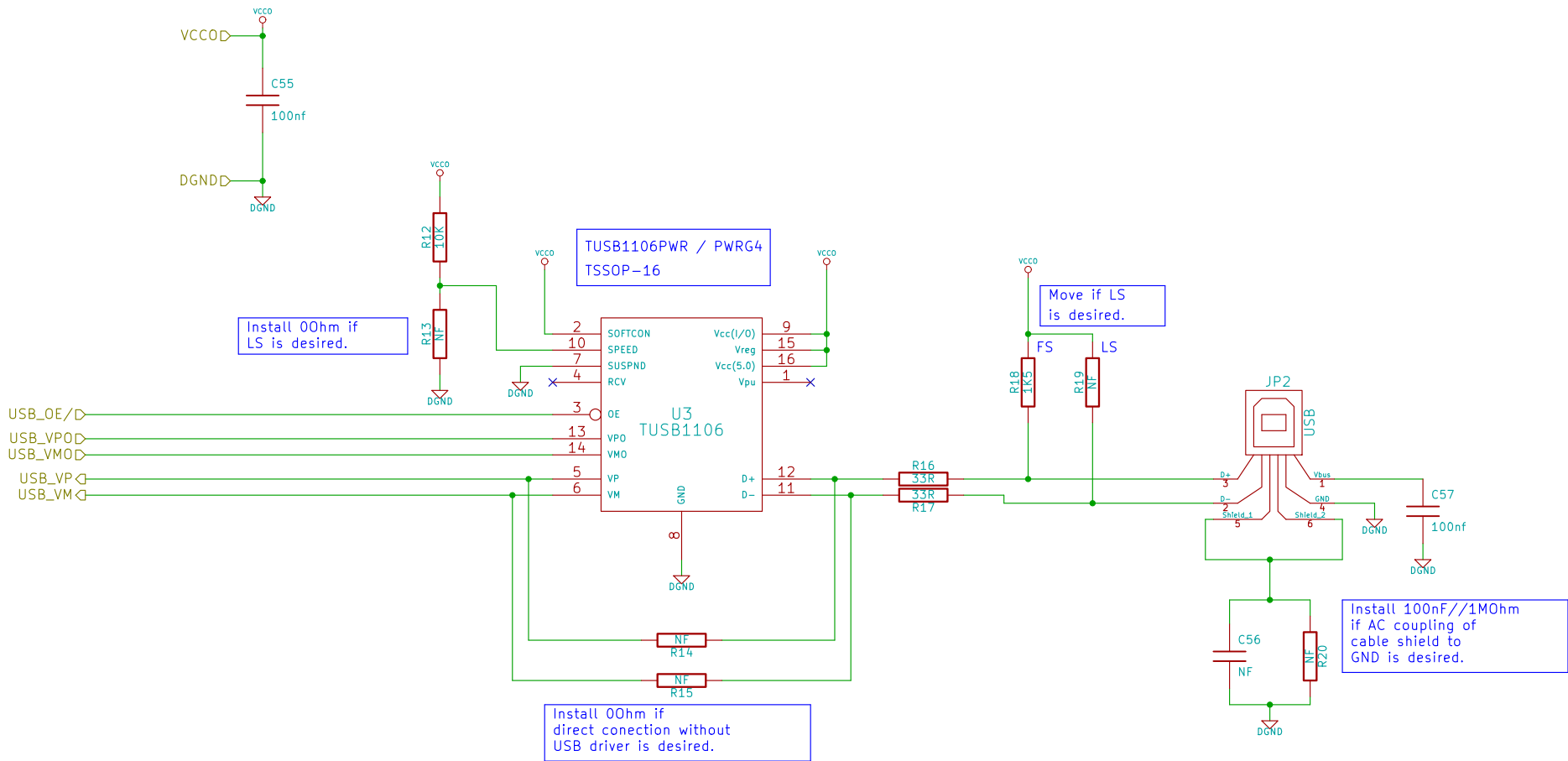
IO



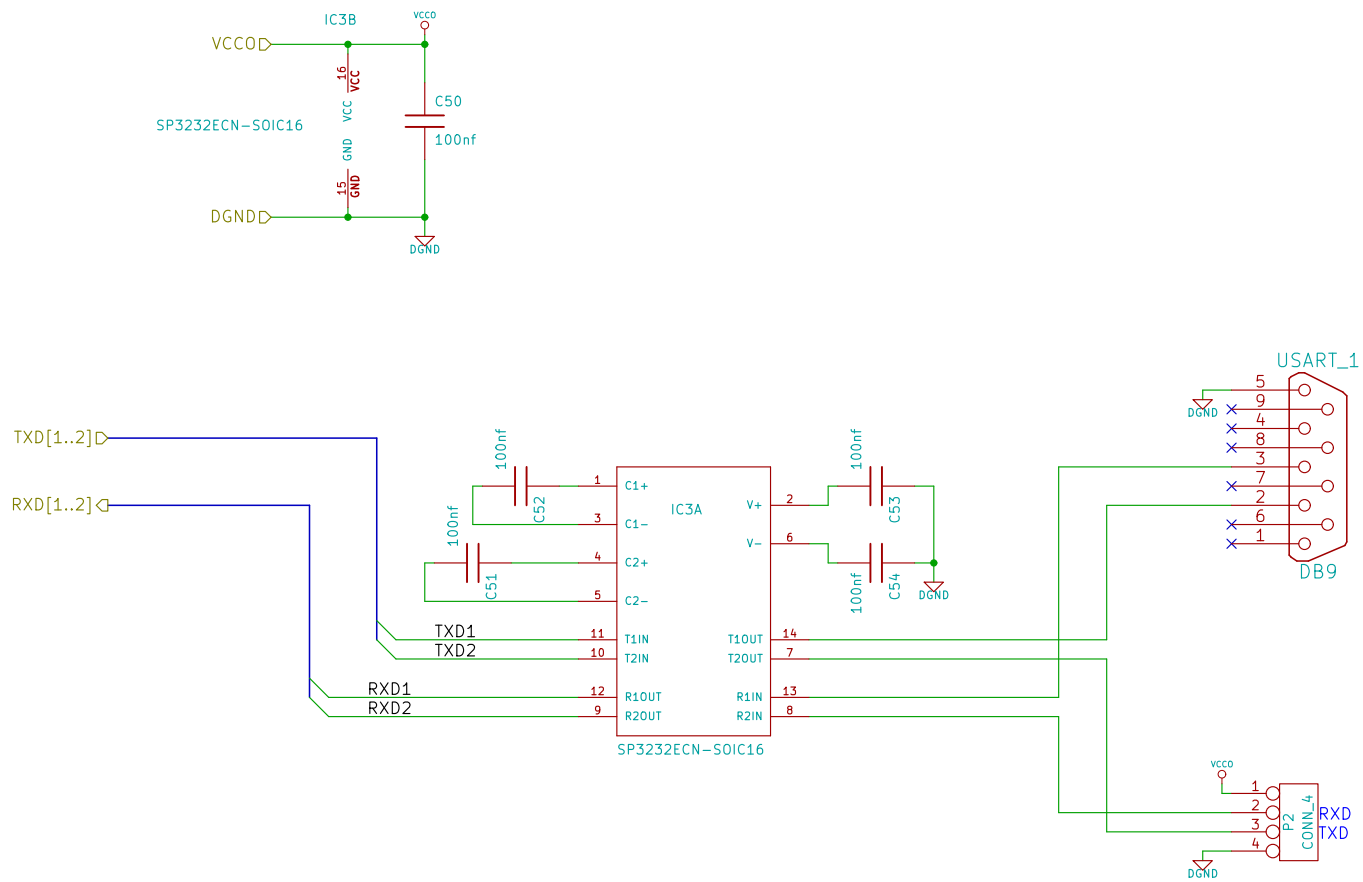
S3PROTO-MINI Spartan3 FPGALibre Basic Board \$Revision: 1.9 \$		
Autor: Christian Huy / Revisores: D. Brengi; S. Tropea		
INTI - Electronica e Informatica - UTIC - DESol		
File: S3Proto.sch		
Sheet: /		
Title: Esquema principal		
Size: A4	Date: 19 sep 2011	Rev: 1.0
KiCad E.D.A.		Id: 1/8



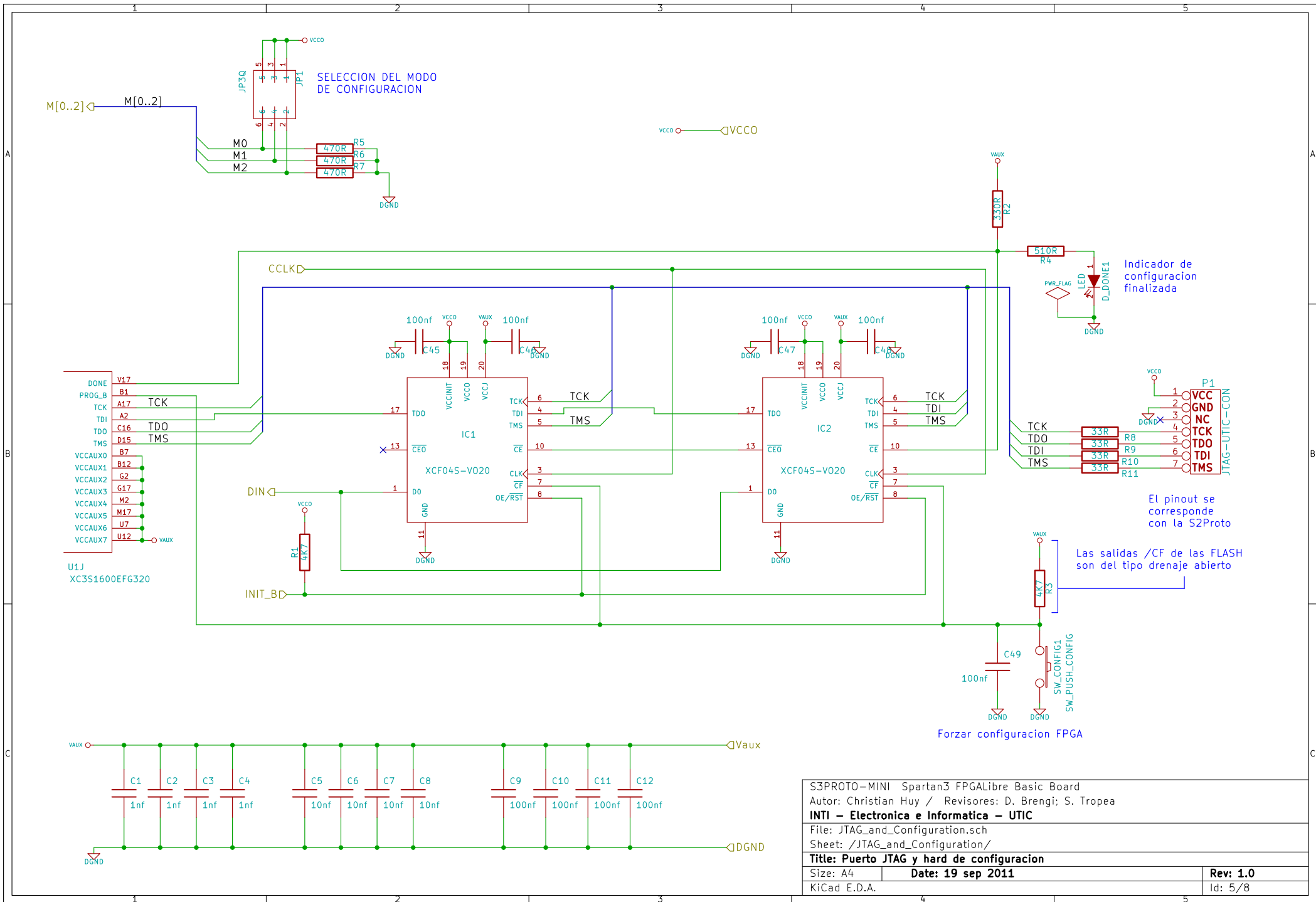
S3PROTO-MINI Spartan3 FPGALibre Basic Board		
Autor: Christian Huy / Revisores: D. Brengi; S. Tropea		
INTI - Electronica e Informatica - UTIC		
File: IO.sch		
Sheet: /IO/		
Title: Entradas, salidas, LEDs, llaves y pulsadores de proposito general.		
Size: A4	Date: 19 sep 2011	Rev: 1.0
KiCad E.D.A.		Id: 2/8

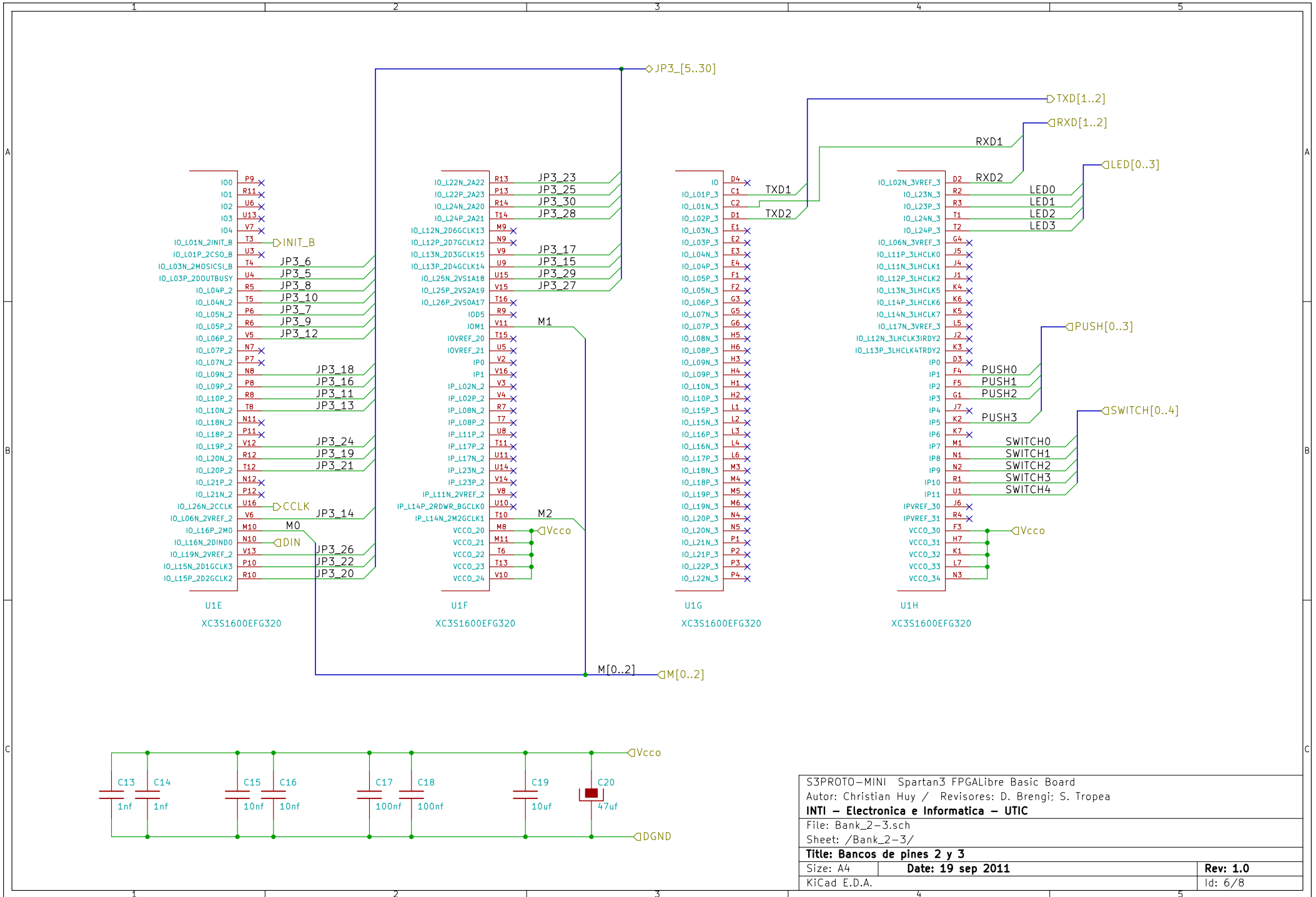


S3PROTO-MINI Spartan3 FPGALibre Basic Board	
Autor: Rodrigo A. Melo / Revisores: D. Brengi; S. Tropea; C. Huy	
INTI – Electronica e Informatica – UTIC	
File: USB.sch	
Sheet: /USB/	
Title: Puerto USB	
Size: A4	Date: 19 sep 2011
KiCad E.D.A.	Rev: 1.0
	Id: 3/8



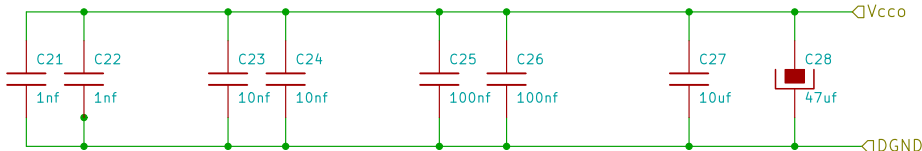
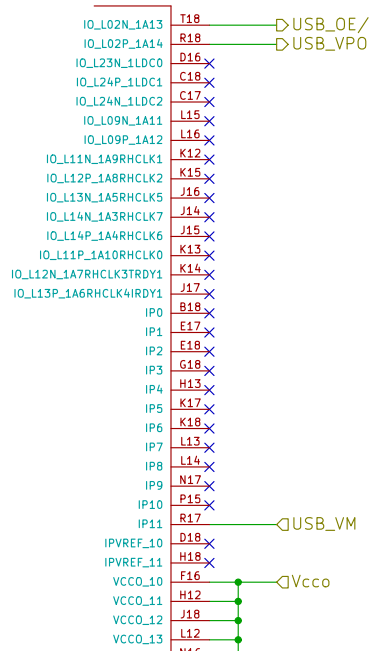
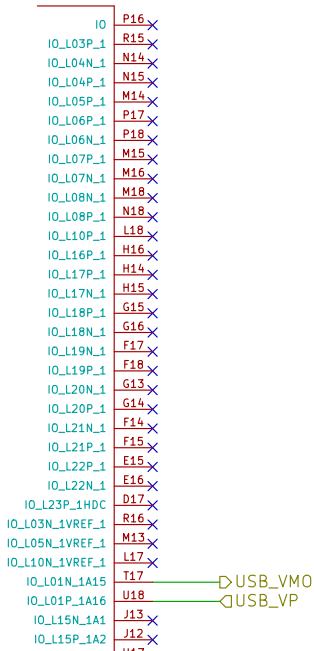
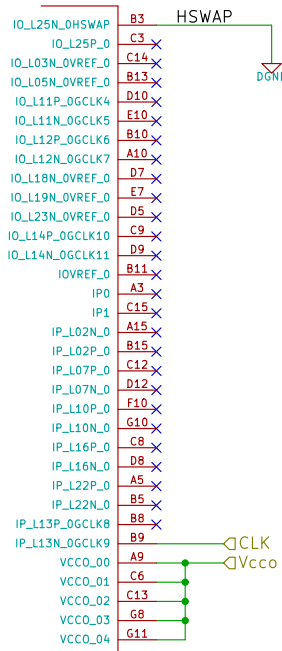
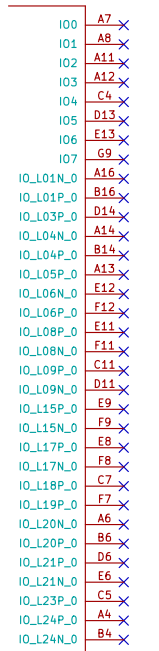
S3PROTO-MINI Spartan3 FPGALibre Basic Board		
Autor: Christian Huy / Revisores: D. Brengi; S. Tropea		
INTI - Electronica e Informatica - UTIC		
File: RS232.sch		
Sheet: /RS232/		
Title: Puerto serial RS232		
Size: A4	Date: 19 sep 2011	Rev: 1.0
KiCad E.D.A.		Id: 4/8

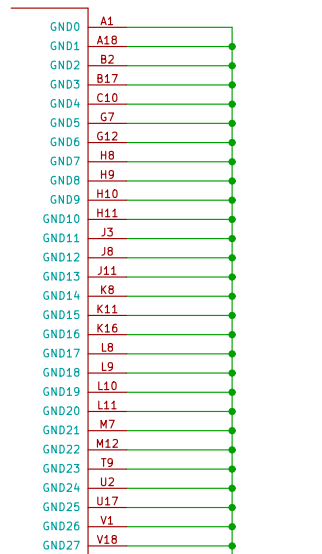




S3PROTO-MINI Spartan3 FPGALibre Basic Board		
Autor: Christian Huy / Revisores: D. Brengi; S. Tropea		
INTI - Electronica e Informatica - UTIC		
File: Bank_2-3.sch		
Sheet: /Bank_2-3/		
Title: Bancos de pines 2 y 3		
Size: A4	Date: 19 sep 2011	Rev: 1.0
KiCad E.D.A.		Id: 6/8

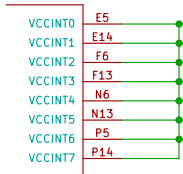
FUERZA UN PULL-UP EN
TODOS LOS PINES DURANTE
LA CONFIGURACION



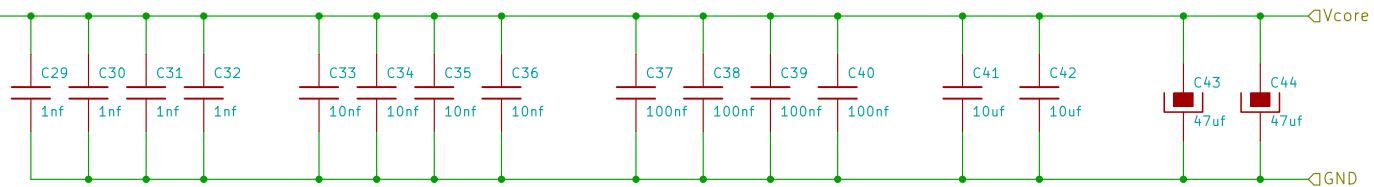


U1
XC3S1600EFG320

XC3S1600EFG320



U1K



S3PROTO-MINI Spartan3 FPGALibre Basic Board		
Autor: Christian Huy / Revisores: D. Brengi; S. Tropea		
INTI - Electronica e Informatica - UTIC		
File: FPGA_Power_Core_and_GND.sch		
Sheet: /FPGA_Power_Core_and_GND/		
Title: Alimencion Core Spartan 3 y entradas de masa		
Size: A4	Date: 19 sep 2011	Rev: 1.0
KiCad E.D.A.		Id: 8/8