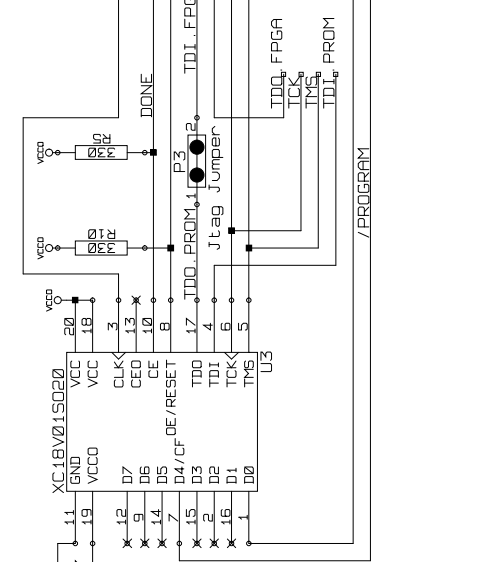
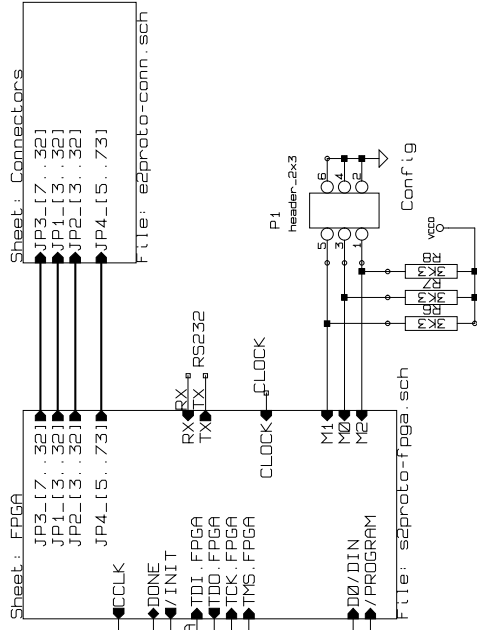


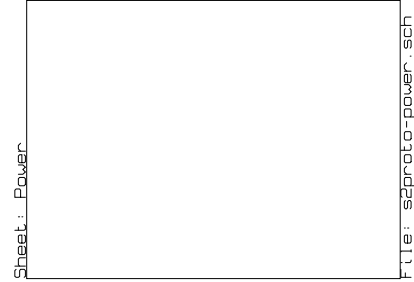
Main Connections



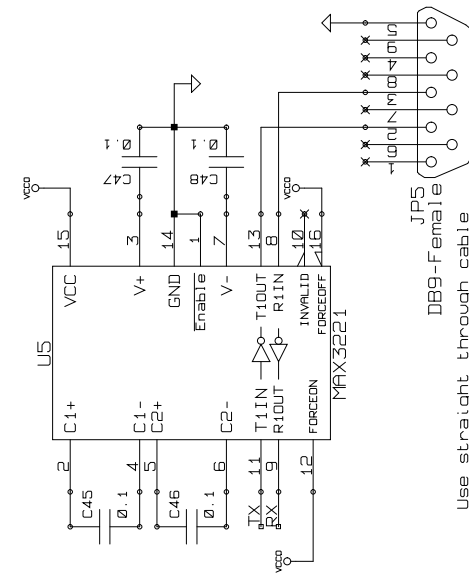
MODE*	P-UPS	M0	M1	M2
Master Serial	No	JUMP	JUMP	JUMP
Slave parallel	Yes	JUMP	JUMP	JUMP
Boundary-scan	Yes	JUMP	JUMP	JUMP
Slave serial	No	JUMP	JUMP	JUMP

*More info in Spartan II Datasheet

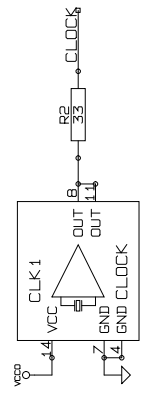
Power Regulation and decoupling



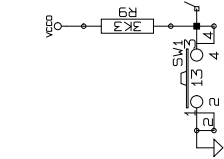
RS232 Line



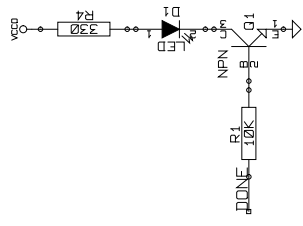
Clock



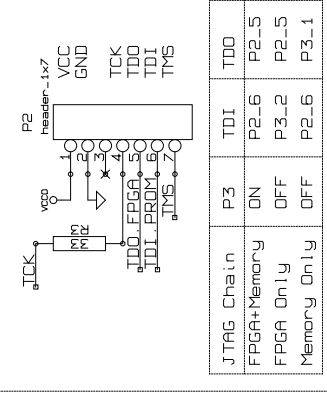
Program Push Button



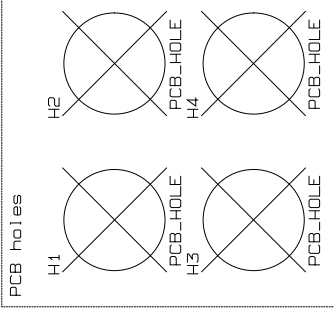
DONE Led



JTAG Connector

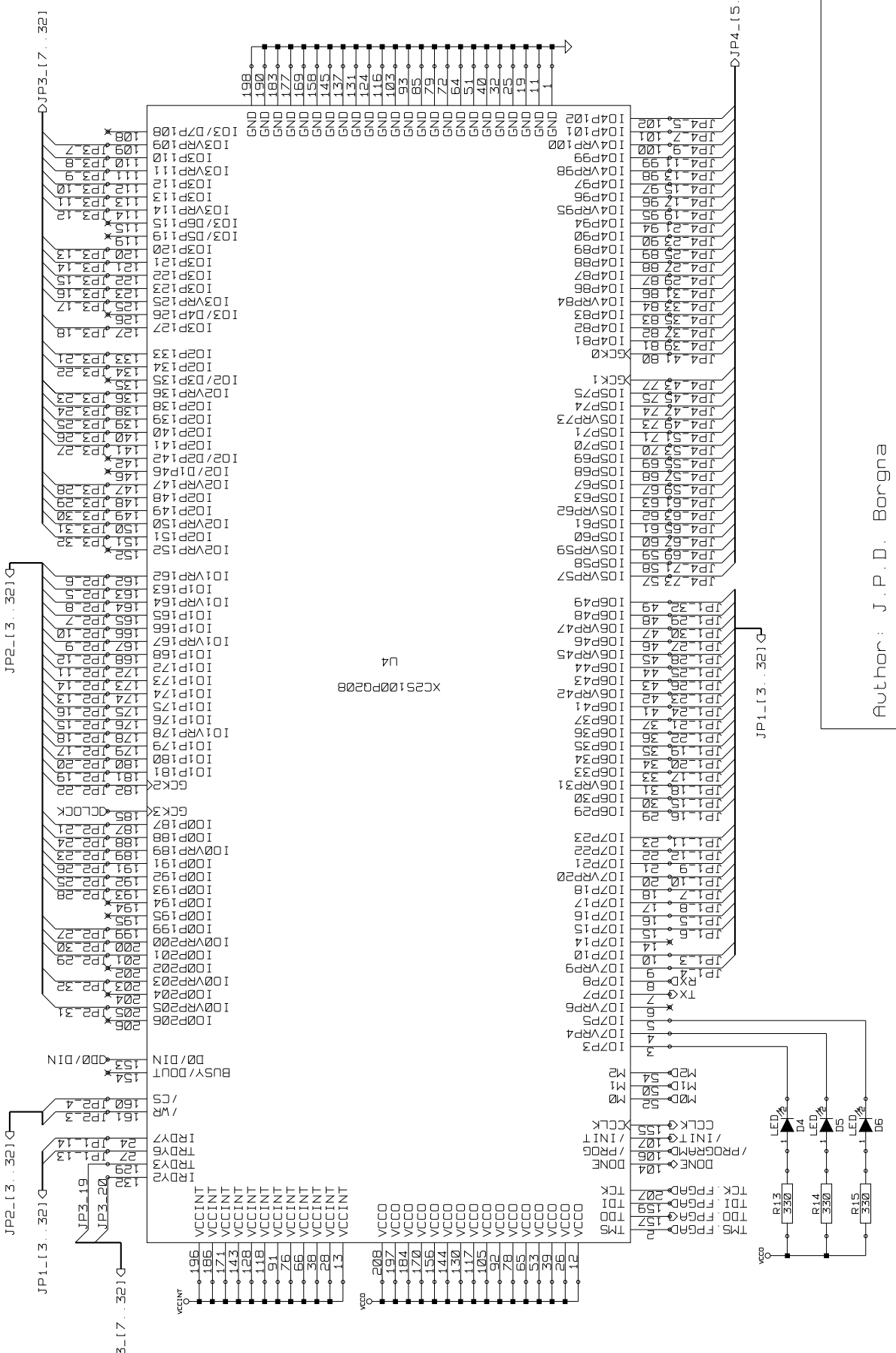


JTAG Chain	P3	TDI	TDO
FPGA+Memory	ON	P2_6	P2_5
FPGA Only	OFF	P3_2	P2_5
Memory Only	OFF	P2_6	P3_1

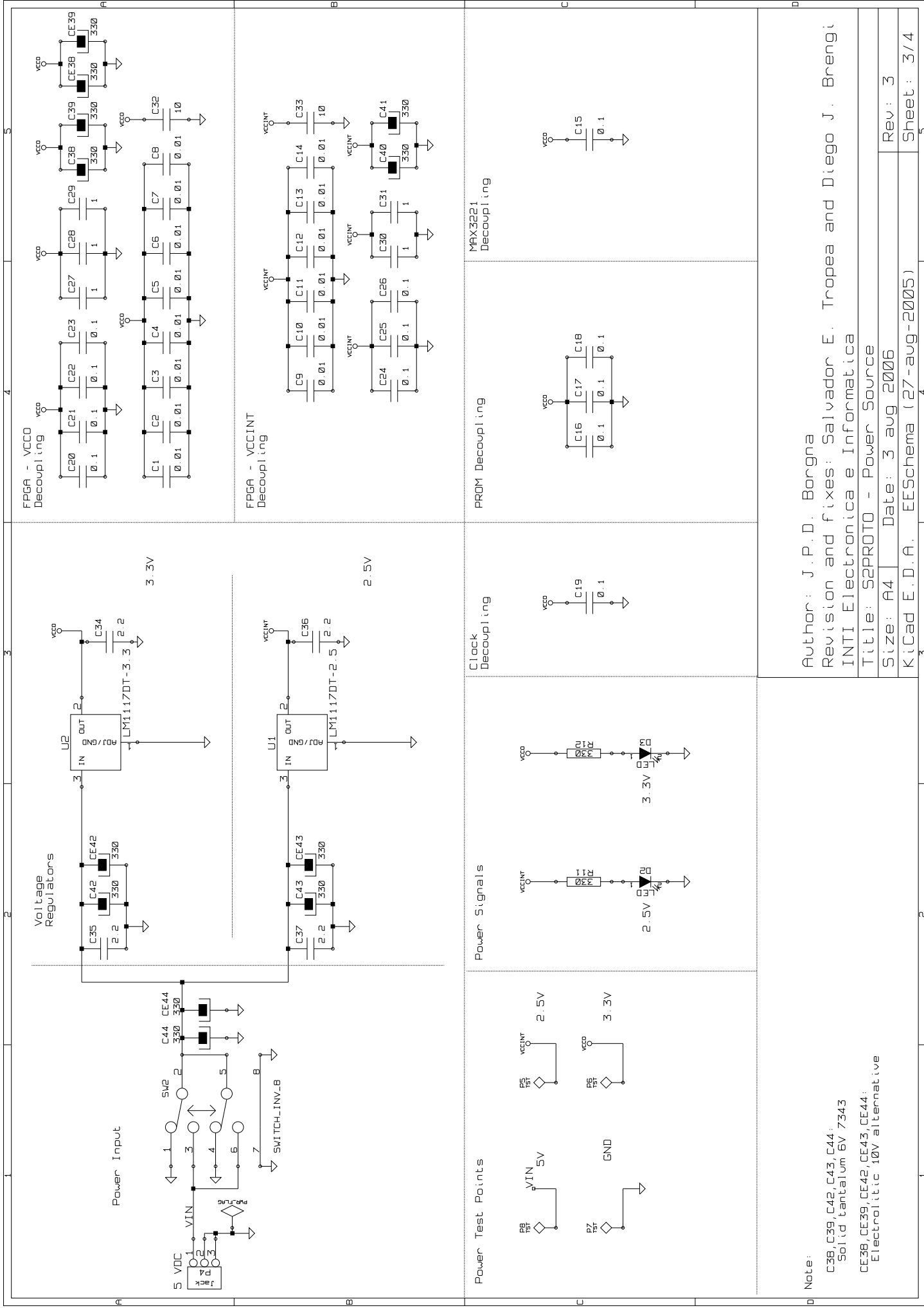


Author: J.P.D, Borgna
 Revision and fixes: Salvador E. Tropea and Diego J. Brengi
 \$Revision: 1.21 \$
 INTI Electronica e Informatica
 Title: S2PROTO - Spartan II FPGA Libre board
 Size: A4 Date: 3 aug 2006
 KiCad E.D.A. EESchema (27-aug-2005)

Rev: 6
 Sheet: 1/4



Author: J. P. D. Borgna
Revision and fixes: Diego J. Brengi
INTI Electronica e Informatica
Title: S2PROTO - FPGA
Size: A4 Date: 3 aug 2006
KiCad E.D.A. EESchema (27-aug-2005)

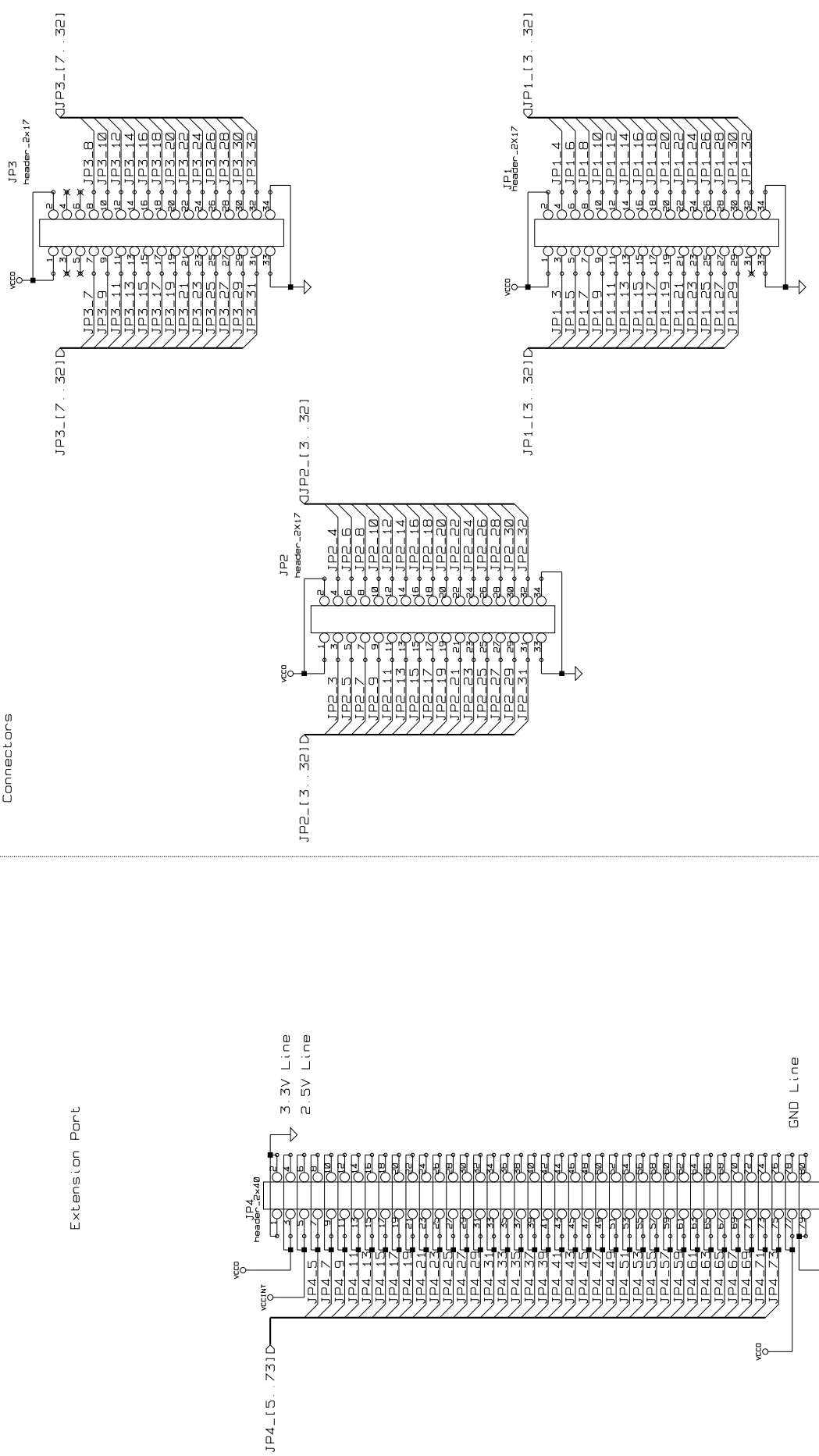


Author: J. P. D. Borgna
 Revision and fixes: Salvador E. Tropea and Diego J. Brengi
 INTI Electronica e Informatica
 Title: S2PROTO - Power Source
 Size: A4 Date: 3 aug 2006
 KiCad E.D.A. EESchema (27-aug-2005)

Note:
 C38, C39, C42, C43, C44:
 Solid tantalum 6V 7343
 CE38, CE39, CE42, CE43, CE44:
 Electrolytic 10V alternative

Connectors

Extension Port



Author: J. P. D. Borgna
 Revision and fixes: Diego J. Brengi
 INTI Electronica e Informatica
 Title: S2PROTO - Connectors
 Size: A4 Date: 3 aug 2006
 KiCad E.D.A. EESchema (27-aug-2005)