

Main Connections

FPGA	Memory
XC2S200-PQ208	XC2S200-PQ208
XC2S150-PQ208	XC2S150-PQ208
XC2S100-PQ208	XC2S100-PQ208

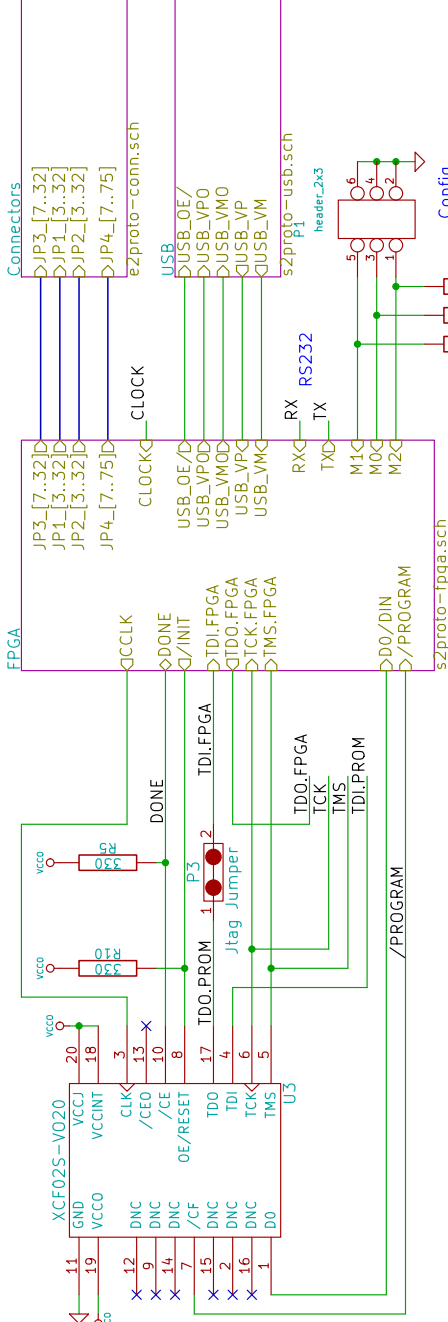
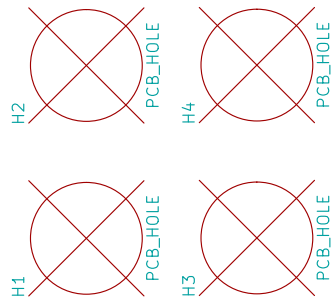
MODE*	P-UFS	M0	M1	M2
Master Serial	No	JUMP	JUMP	JUMP
Slave parallel	Yes	JUMP	JUMP	JUMP
Boundary-scan	No	JUMP	JUMP	JUMP
Slave serial	Yes	JUMP	JUMP	JUMP
	No	JUMP	JUMP	JUMP

\*More info in Spartan II Datasheet

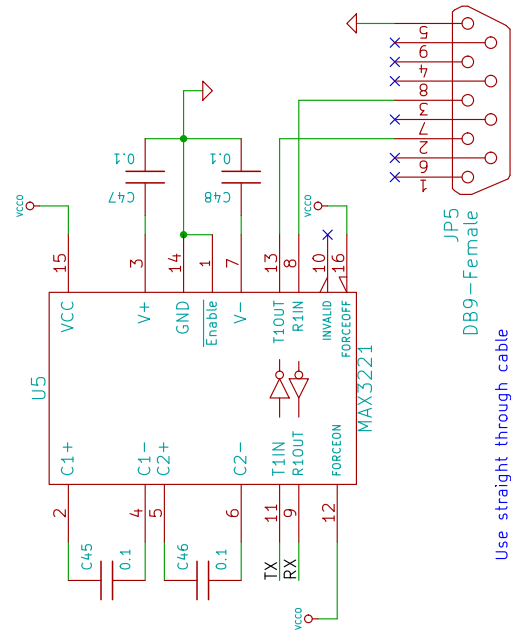
Power Regulation and decoupling



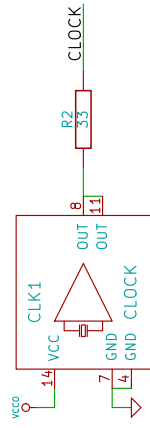
PCB holes



RS232 Line



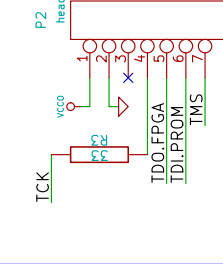
Clock



DONE Led



JTAG Connector



JTAG Chain	P3	TDI	TDO
FPGA+Memory	ON	P2_6	P2_5
FPGA Only	OFF	P3_2	P2_5
Memory Only	OFF	P2_6	P3_1

Author: J.P.D. Borgna  
 Revision and fixes: Salvador E. Tropea, Diego J. Brengi  
 and Rodrigo A. Melo  
 \$Revision: 1.31 \$  
**INTI Electronica e Informatica**  
 File: s2proto.sch  
 Sheet: /

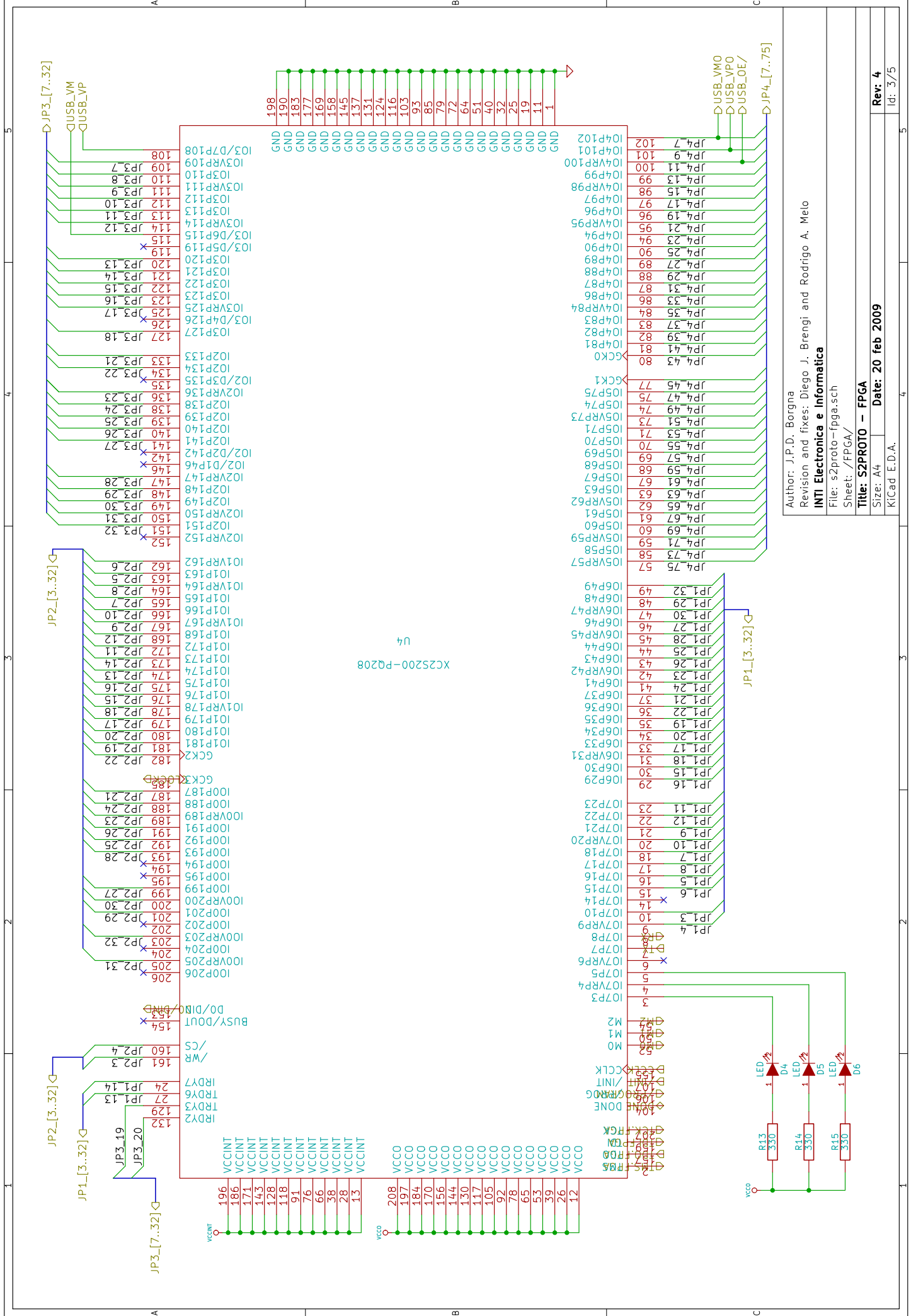
**Title: S2PROTO - Spartan II FPGALibre board**

Size: A4 Date: 20 feb 2009

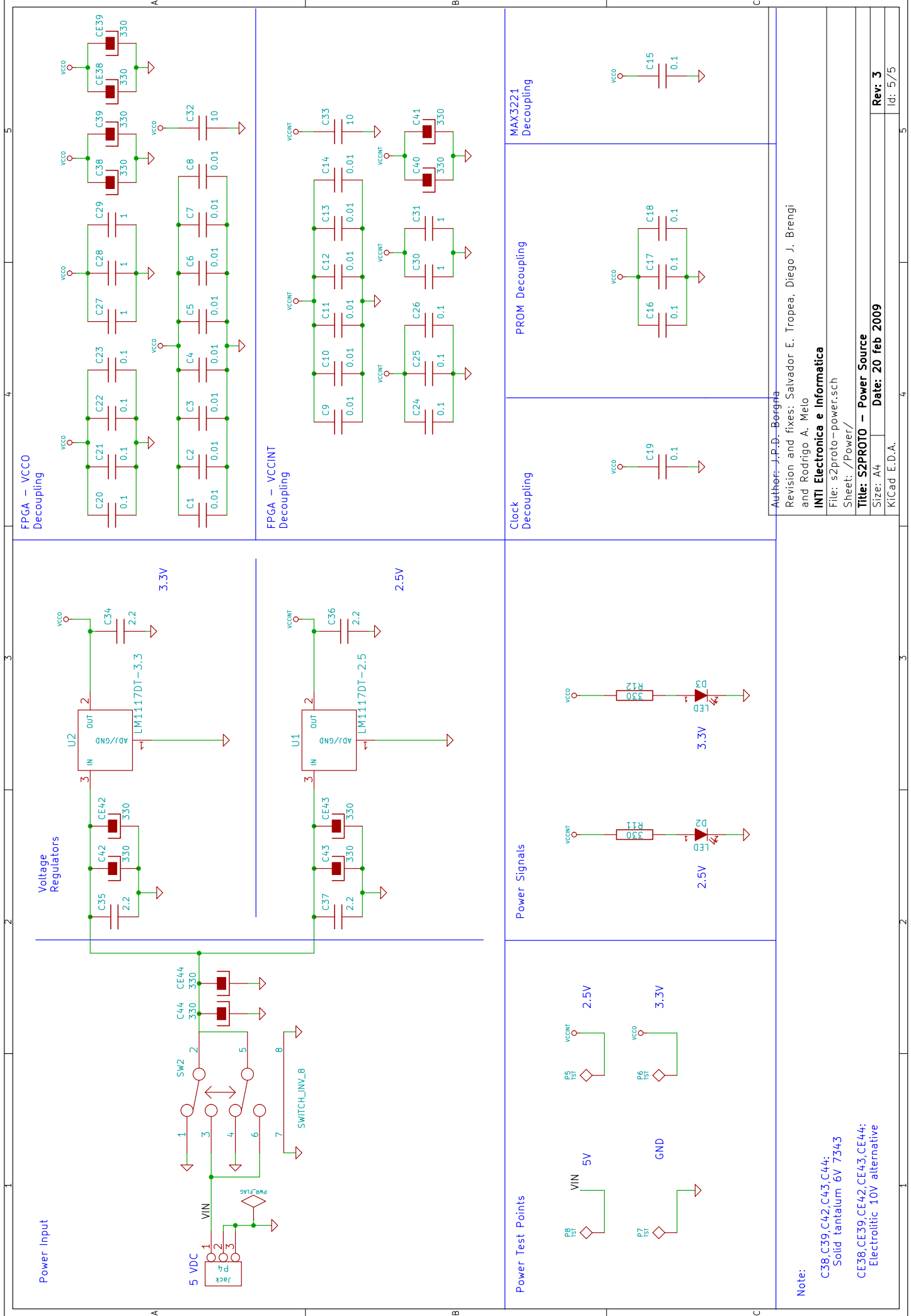
KiCad E.D.A.

Rev: 8

Id: 1/5

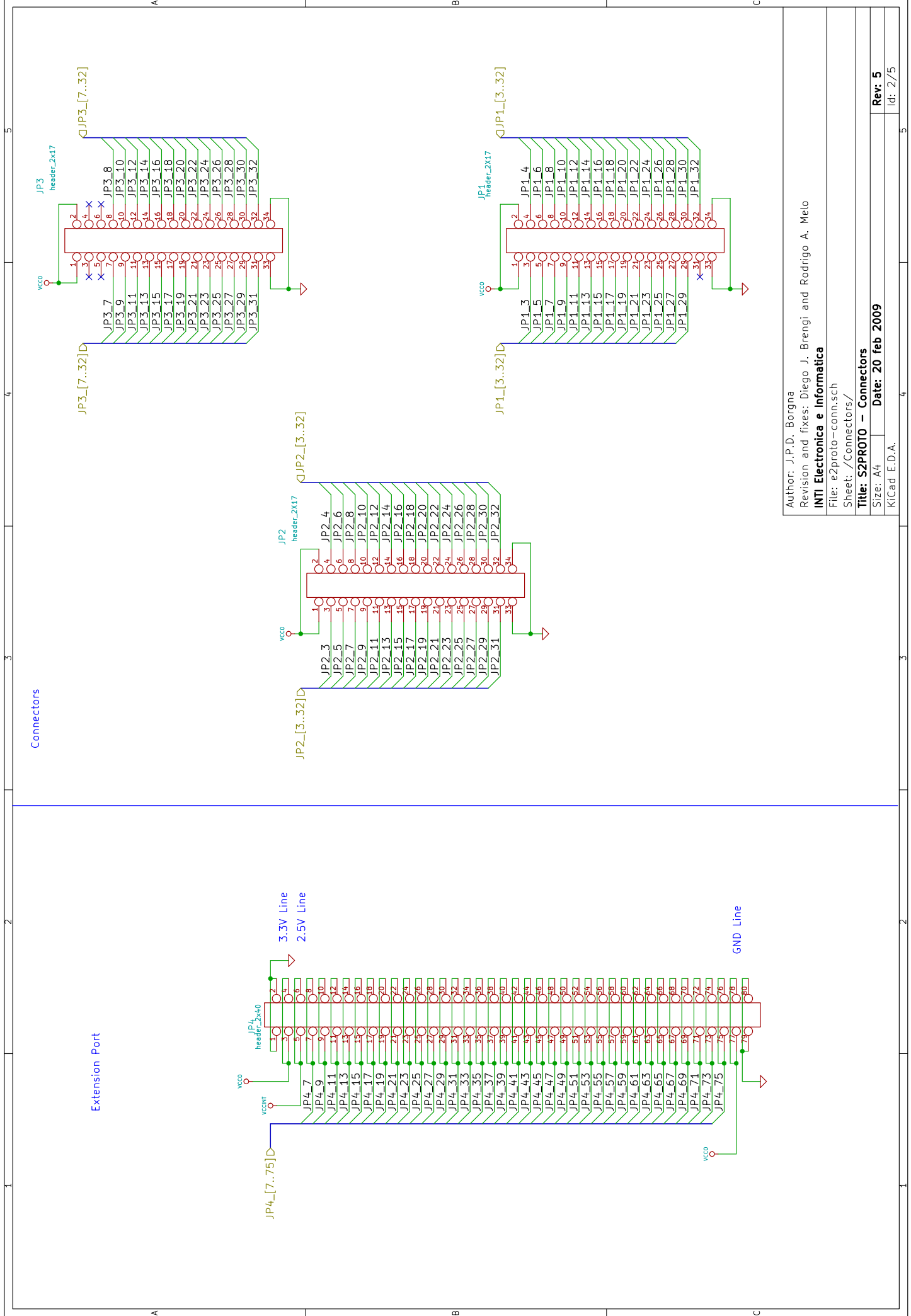


Author: J.P.D. Borgna  
Revision and fixes: Diego J. Brengi and Rodrigo A. Melo  
**INTI Electronica e Informatica**  
File: s2proto-fpga.sch  
Sheet: /FPGA/  
**Title: S2PROTO - FPGA**  
Size: A4 Date: 20 feb 2009  
KiCad E.D.A. Id: 3/5 Rev: 4

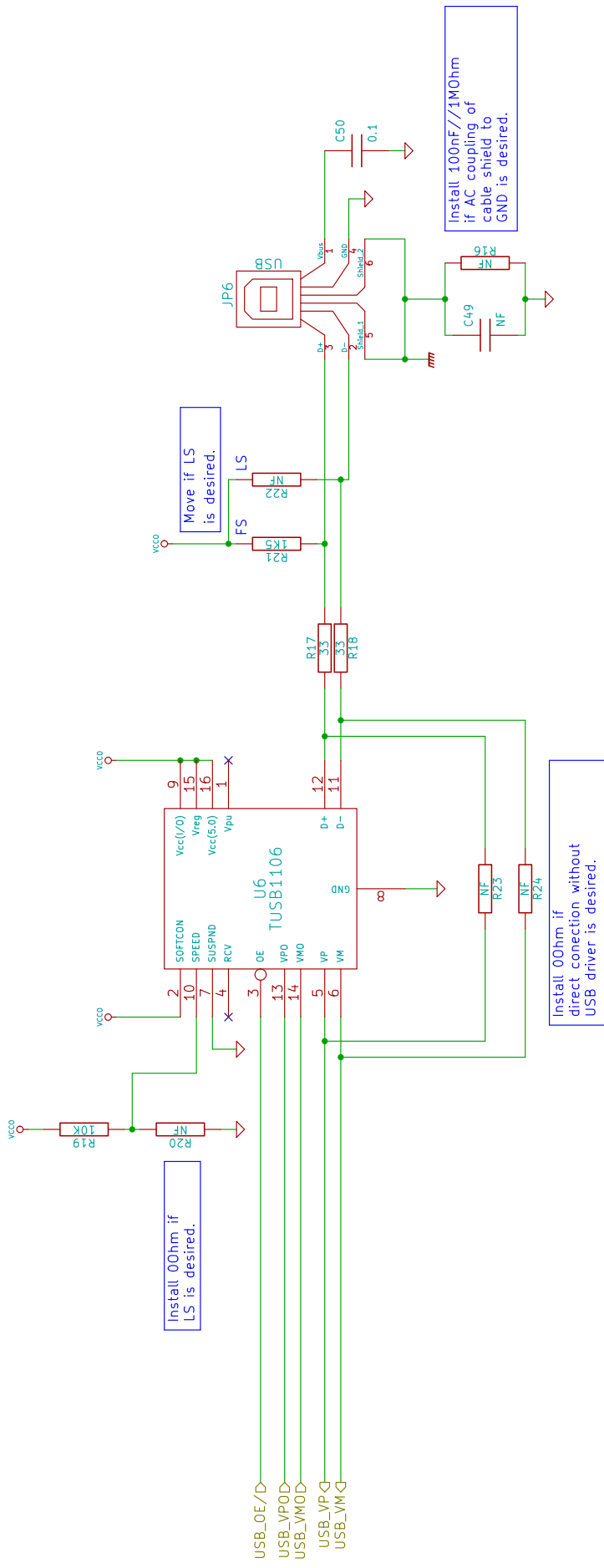


Author: J.P.D. Bergira  
Revision and fixes: Salvador E. Tropea, Diego J. Brengi and Rodrigo A. Melo  
**INTI Electronica e Informatica**  
File: s2proto-power.sch  
Sheet: /Power/  
**Title: S2PROTO - Power Source**  
Size: A4      Date: 20 feb 2009  
KiCad E.D.A.      Id: 5/5

**Note:**  
C38,C39,C42,C43,C44:  
Solid tantalum 6V 7343  
CE38,CE39,CE42,CE43,CE44:  
Electrolitic 10V alternative



Author: J.P.D. Borgna  
Revision and fixes: Diego J. Brengi and Rodrigo A. Melo  
**INTI Electronica e Informatica**  
File: e2proto-conn.sch  
Sheet: /Connectors/  
**Title: S2PROTO - Connectors**  
Size: A4      Date: 20 feb 2009  
KiCad E.D.A.      Id: 2/5



Note:  
 NF => 'Not Fitted'  
 FS => 'Full Speed'  
 LS => 'Low Speed'

Author: Rodrigo A. Melo  
 Revision and fixes: Salvador E. Tropea and Diego J. Brengi  
**INTI Electronica e Informatica**  
 File: s2proto-usb.sch  
 Sheet: /USB/  
**Title: S2PROTO - USB**  
 Size: A4      Date: 20 feb 2009  
 KiCad E.D.A.      Id: 4/5