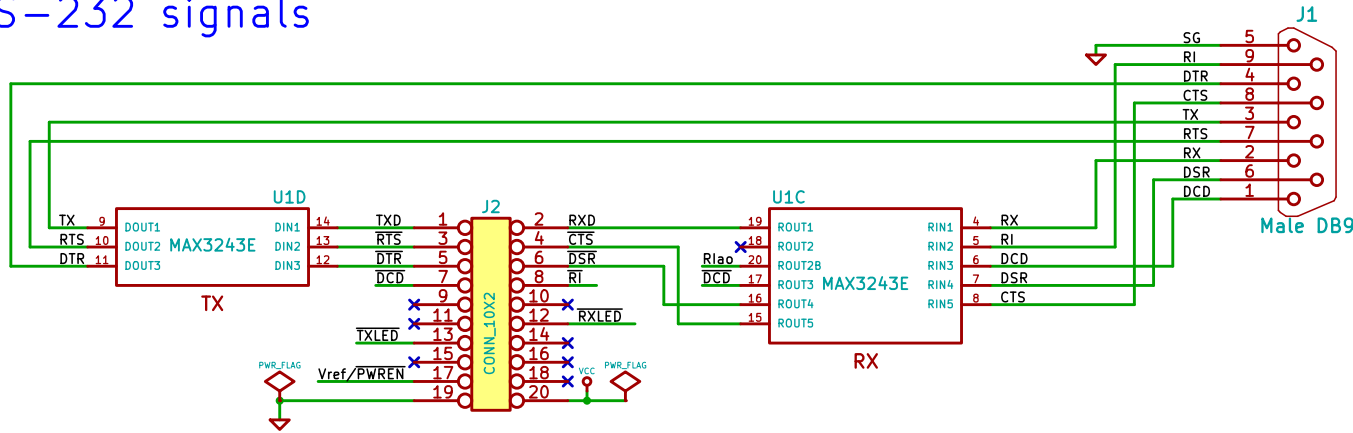
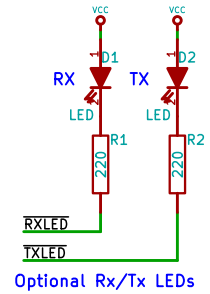


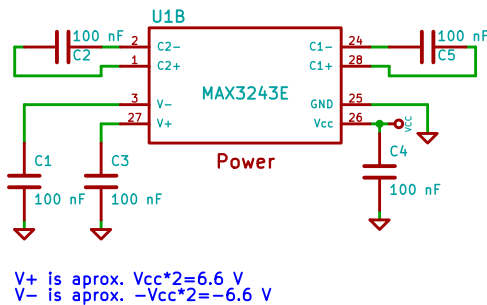
RS-232 signals



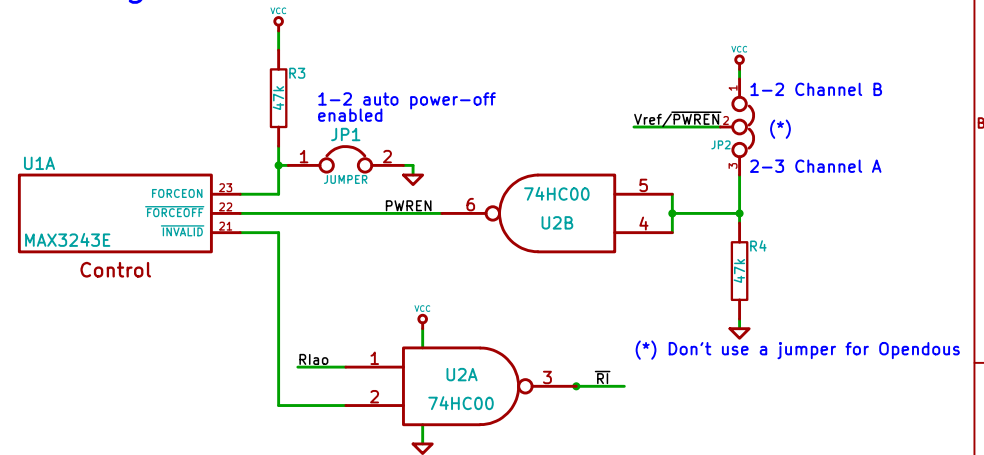
Rx/Tx LEDs



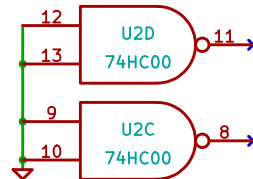
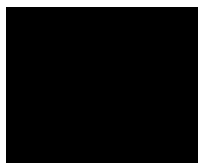
Power section



Suspend logic



Full version, implements hardware handshake. Also implements SUSPEND and wake-up when we have an incoming call.



Author: Salvador E. Tropea		
For more information visit: http://fpgalibre.sf.net/Milk/		
For license information read the LICENSE.txt file		
INTI - CMNB		
File: RS232_DB9_full_buffered_B.sch		
Sheet: /		
Title: Full RS-232 cable (hard handshake + wake-up) (\$Revision: 1.3 \$)		
Size: A4	Date: 6 jul 2015	Rev: In Title
KiCad E.D.A.		Id: 1/1