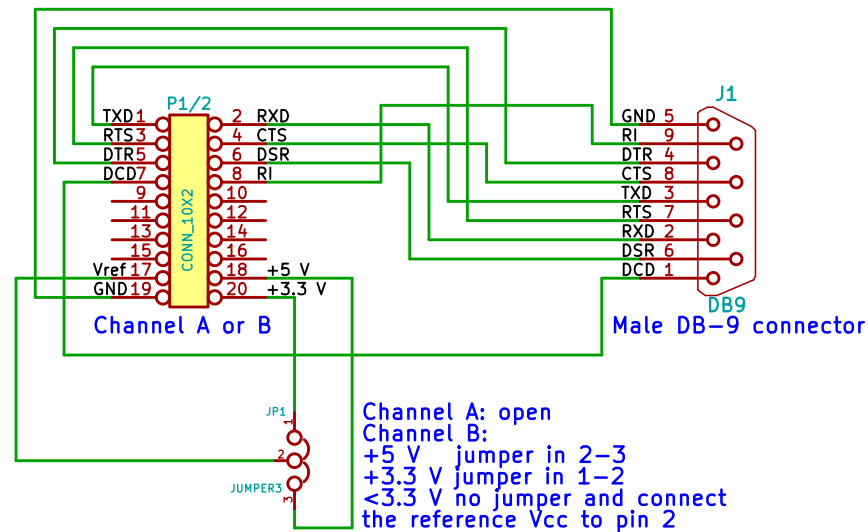


Simple RS-232 cable, for "TTL" signals.
 Can be used for 0.9 V to 5 V systems.
 This isn't a circuit, is just a cable.



WARNING!

Don't connect it to a ± 12 V RS-232 port.

Author: Salvador E. Tropea		
For more information visit: http://fpgalibre.sf.net/Milk/		
For license information read the LICENSE.txt file		
INTI - CMNB		
File: RS232_DB9_simple.sch		
Sheet: /		
Title: RS-232 simple cable (DB-9, all signals) (\$Revision: 1.2 \$)		
Size: A4	Date: 3 jul 2015	Rev: In Title
KiCad E.D.A.		Id: 1/1