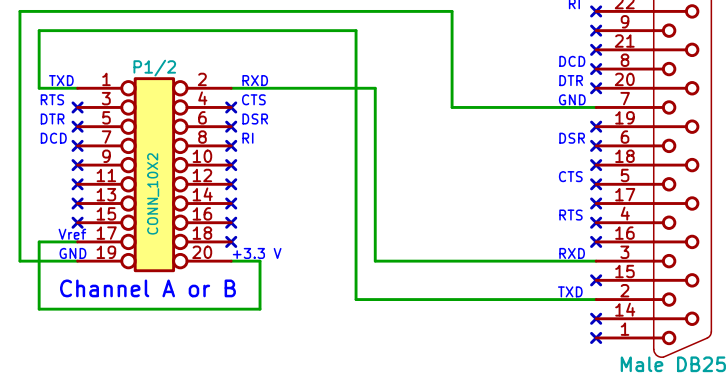
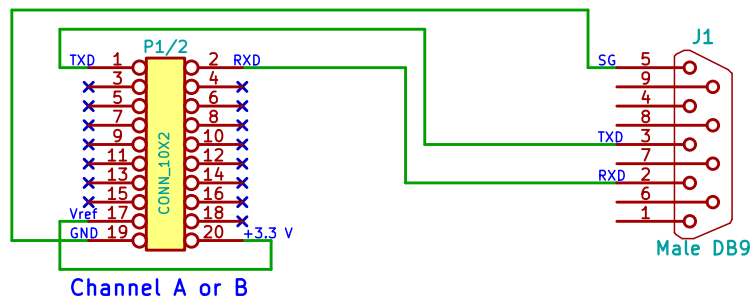
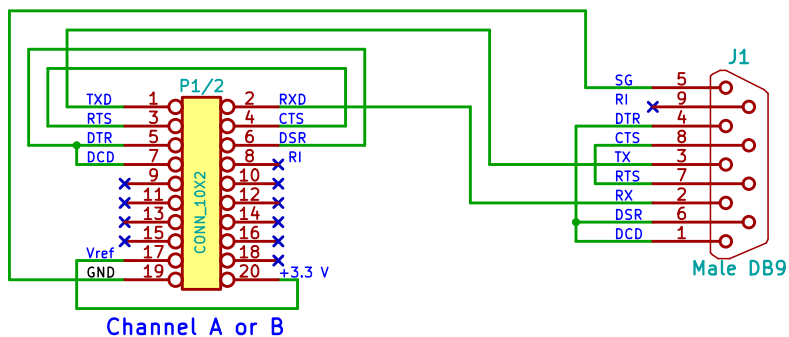


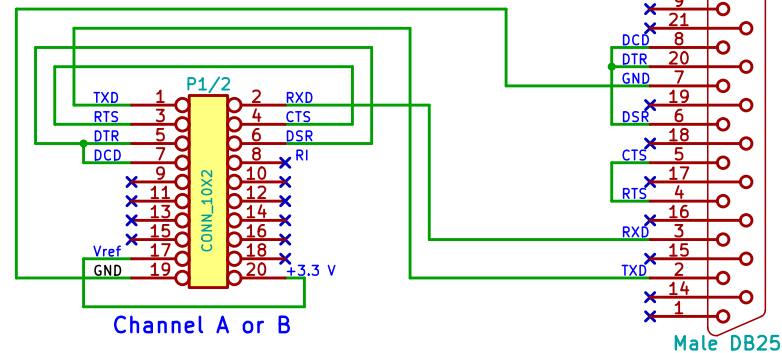
Basic RS-232 cables, for "TTL" signals.  
 Can be used for 3.3 V and 5 V systems.  
 No hardware handshake, see the "simple" version.  
 These aren't circuits, just a cables.



Dummy (fake) modem version:



Dummy (fake) modem version:



**WARNING!**

Don't connect them to a  $\pm 12$  V  
 RS-232 port.

Author: Salvador E. Tropea		
For more information visit: <a href="http://fpgalibre.sf.net/Milk/">http://fpgalibre.sf.net/Milk/</a>		
For license information read the LICENSE.txt file		
INTI - CMNB		
File: RS232_basic.sch		
Sheet: /		
Title: RS-232 basic cables (DB-9 and DB-25, 3 wire and null modem) (\$Revision: 1.2 \$)		
Size: A4	Date: 12 may 2015	Rev: In Title
KiCad E.D.A.		Id: 1/1