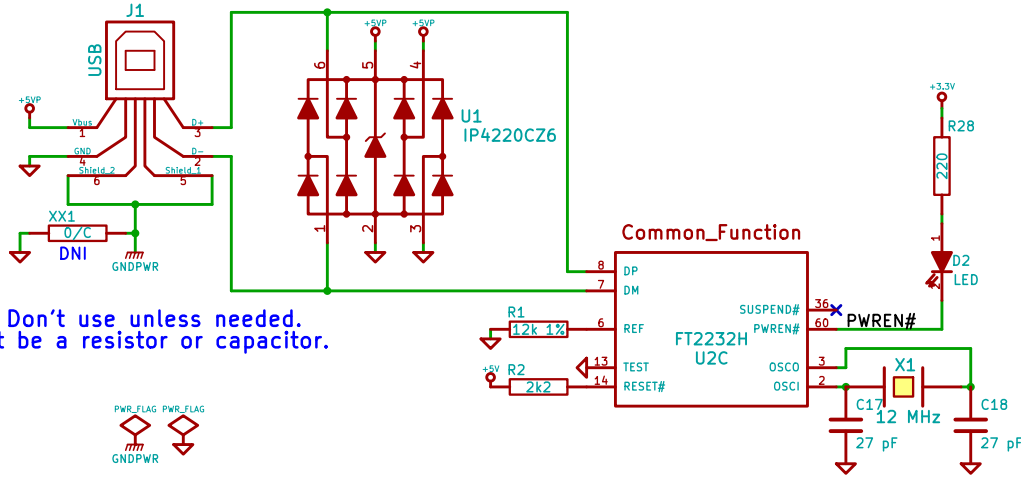


USB

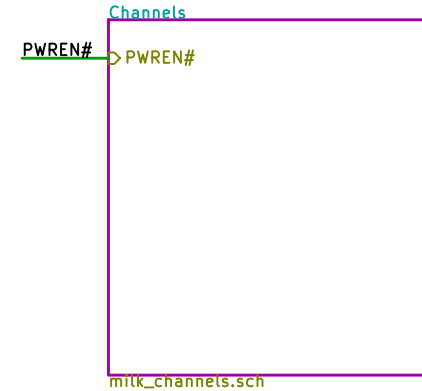
USB protection is optional



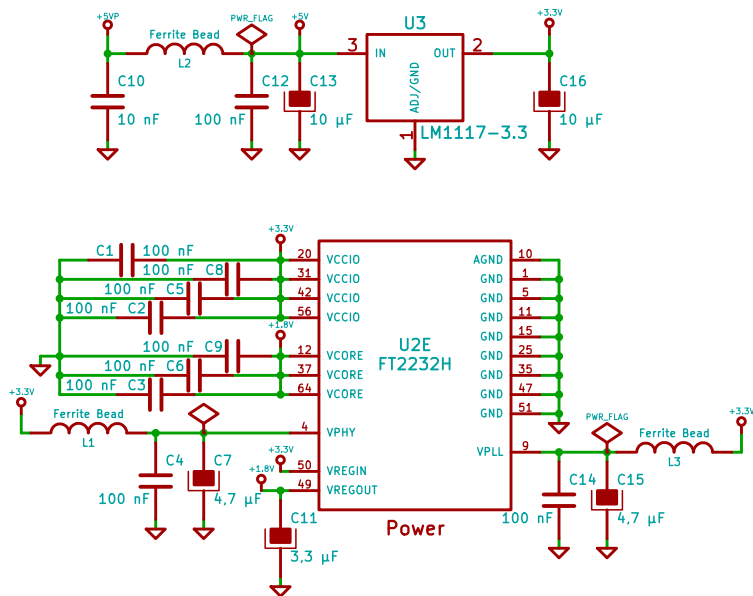
XX1: Don't use unless needed. Might be a resistor or capacitor.



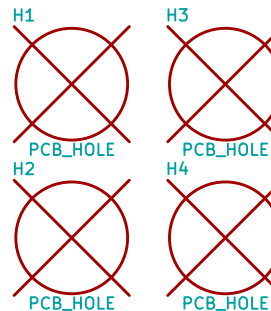
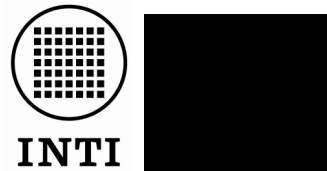
I/O Channels



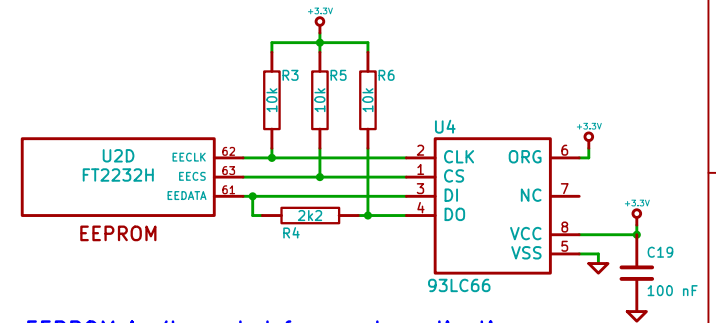
Power



MILK



EEPROM

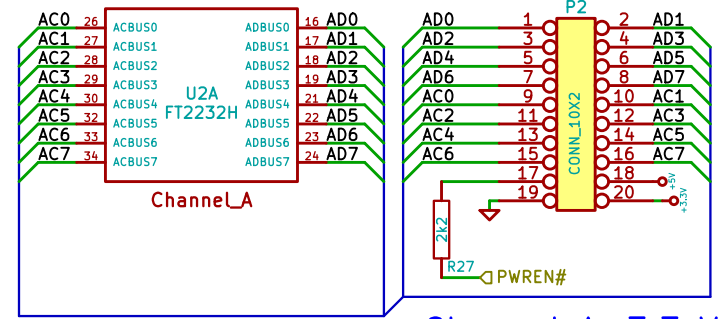


The EEPROM isn't needed for most applications. R3, R4, R5, R6, C19 and U4 are optional.

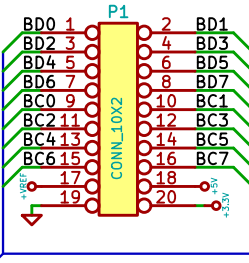
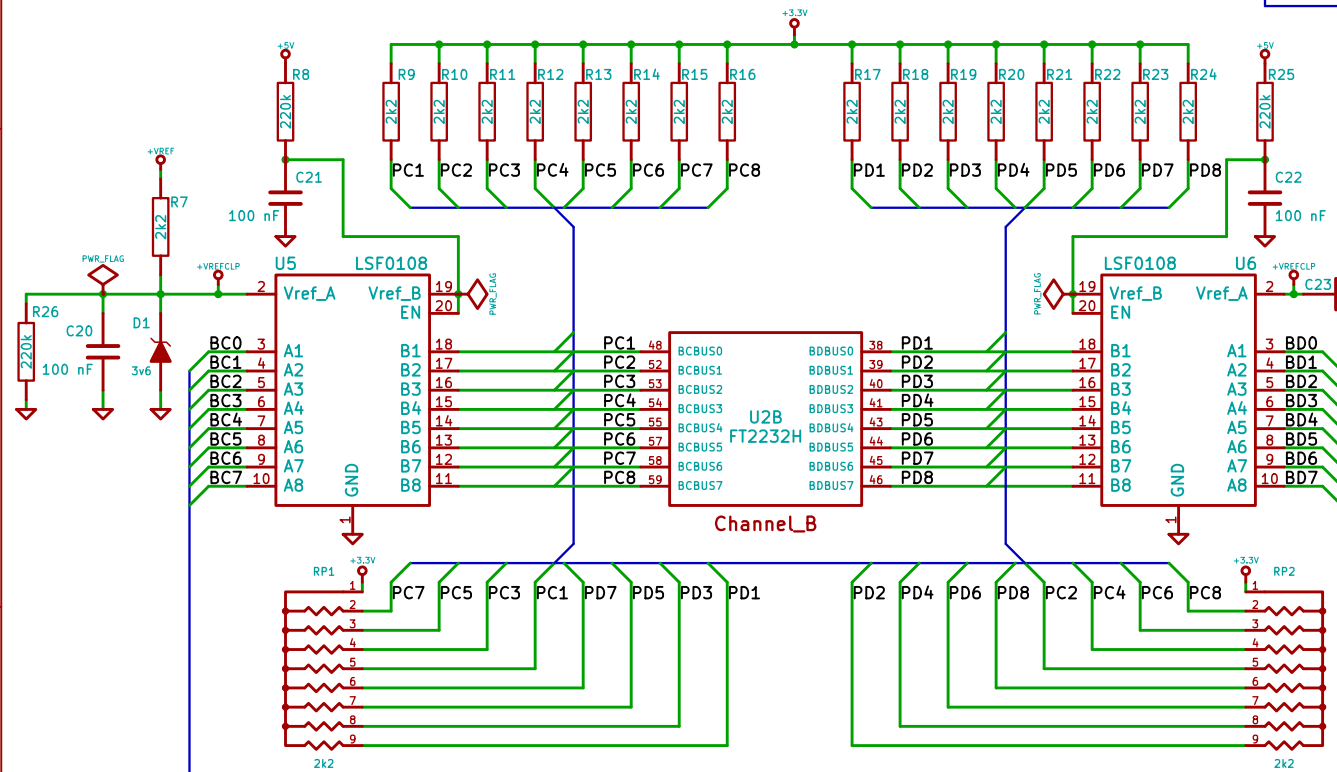
<http://fpgalibre.sf.net/Milk/>

Main sheet
 Author: Salvador E. Tropea – Revision: Diego J. Brengi
 For more information visit: <http://fpgalibre.sf.net/Milk/>
 For license information read the LICENSE.txt file
 INTI – CMNB
 File: milk.sch
 Sheet: /
 Title: MILK – Multiple Interface Light Kit (\$Revision: 1.10 \$)
 Size: A4 Date: 22 oct 2015 Rev: In Title
 KiCad E.D.A. Id: 1/2

MILK



Channel A: 3.3 V
5 V tolerant



Channel B: 0.95 to 5 V

RP1 and RP2 are a replacement for R9 to R24.
Optional: using a socket RP1 and RP2 can be replaced for other values.

Channels		
Author: Salvador E. Tropea - Revision: Diego J. Brengi		
For more information visit: http://fpgalibre.sf.net/Milk/		
For license information read the LICENSE.txt file		
INTI - CMNB		
File: milk_channels.sch		
Sheet: /Channels/		
Title: MILK - Multiple Interface Light Kit (\$Revision: 1.8 \$)		
Size: A4	Date: 14 may 2015	Rev: In Title
KiCad E.D.A.		Id: 2/2

